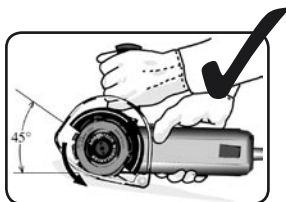
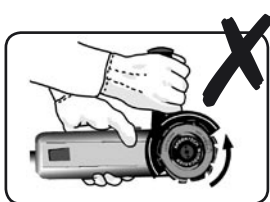


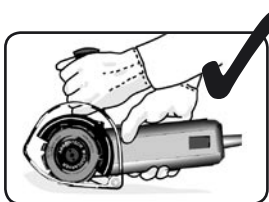
The Arbortech Woodcarver™ Pro-Kit is a versatile companion with numerous uses for Tradespeople, Woodshapers, Sculptors and for Do-It-Yourself tasks. It will cut, carve, shape and trim hardwoods, softwoods and wood based sheet materials.



Dia. 1



Dia. 2



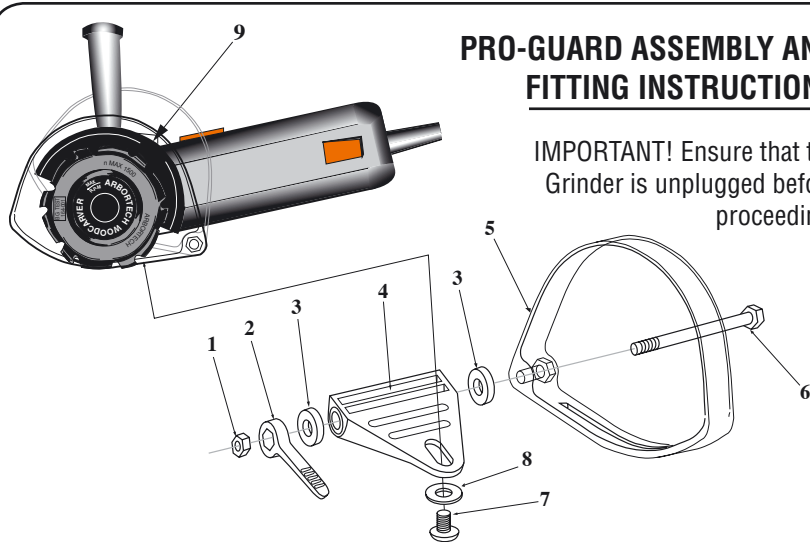
Dia. 3

## PLEASE READ THESE INSTRUCTIONS CAREFULLY TO ENSURE SAFE OPERATION.

1. Only use on an angle grinder fitted with auxiliary handle, original metal guard and Arbortech Pro-Guard.
2. Set safety guard at approximately 45° to the body of the grinder see dia.1. The disk rotates such that it pulls away from the user. You MUST use the metal guard with the Pro-Guard.
3. Do not set the auxiliary handle on the wrong side of the grinder see dia. 2 as this causes the disk to rotate in the wrong direction with the subsequent loss of control.
4. Dia. 3 shows the tool correctly set up.
5. Ensure the angle grinder switch is in the OFF position BEFORE connecting power.
6. Wear eye, ear and lung protection and protective clothing.
7. ALWAYS use TWO hands to operate the grinder.
8. Do not use near unprotected persons.
9. The grinder must stop before placing down.
10. Keep the Woodcarver™ sharp as shown below. Do not use when blunt, do not apply excessive force.

## PRO-GUARD ASSEMBLY AND FITTING INSTRUCTIONS

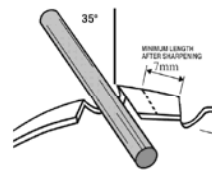
IMPORTANT! Ensure that the Grinder is unplugged before proceeding.



1. Position the existing steel guard (9) at approximately 45°.
2. Loosely attach bracket (4) to the angle grinder with 10mm or 8mm short bolt (7), placing silver washer (8) over the bolt (7). Note: some angle grinders may require washers (3) to correctly position guard.
3. Attach guard (5) to bracket (4) with long pivot bolt (6). If required, use plastic washers (3) to centre the Pro-4 Woodcarver™ disk in guard slot.
4. Fit nut (1) inside tightening lever can be adjusted by re-positioning the nut.
5. Firmly tighten the bracket bolt (7) so that the guard is square to the angle grinder.

**CAUTION: MAKE SURE THE PRO-4 BLADE IS CENTRED IN THE GUARD SLOT BEFORE OPERATING.**

## SHARPENING INSTRUCTIONS



First unplug the power tool!

To sharpen the Woodcarver™ use a 6mm (1/4") round metal file, simply follow the existing tooth profile angle of 35°.

Sharpen as often as necessary.

**Replacement Parts:** WCB400 - Replacement Woodcarver™ Blade  
 WCB010 - Sharpening Stick  
 WCB040 - Power Sharpener  
 PGU100 - Polycarbonate Guard System